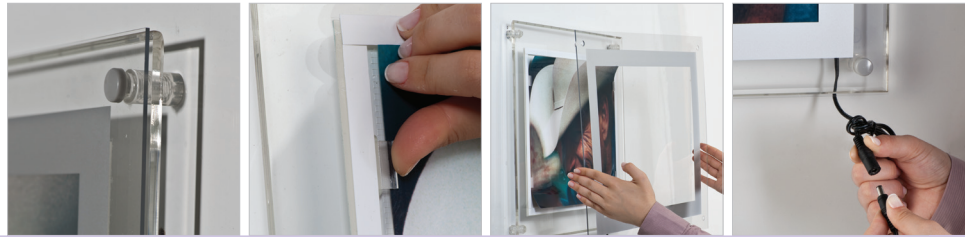


# AcryLed for Wall Mounting



See movie at our website [www.mtdisplays.com.tr](http://www.mtdisplays.com.tr)



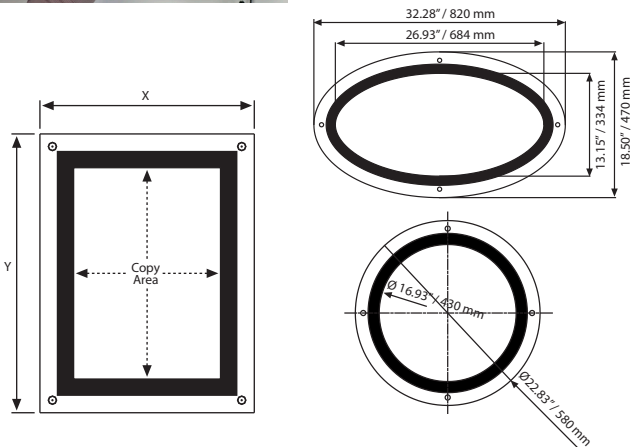
Ultra slim and clear Acryled. The edge-lit acryled mounts portrait or landscape for various types of signage. Acryled lit with LEDs use less power than traditional with light signage. Poster is placed in between the specially treated acrylic & cover acrylic sheet & fixed in position by two clear clips on two short sides. Products are available in 2 colours; silver and black. Compared to traditional articles in the market, Acryled provides easy poster change when unit keeps mounted on the wall.

All units pass CE/UL PAT test and are supplied with their quality certificates. Comes along with 98.43" electrical cable. UK and EU plugs should be mentioned on order.

Illumination save up to 60% energy cost with an increased life expectancy.

Acryled's lightweight and low voltage requirements allow it to be mounted anywhere there's access to regular electrical outlet.

Color options : Silver & black.



MATERIAL : Treated illuminated acrylic					WEIGHT	PACKING SIZE
ARTICLE	EXTERNAL (x-y)	POSTER	COPY	DESCRIPTION	WITH PACKING	*W X H X D
UACLON0081	12.95" X 15.47"	8.5" X 11"	7.87" X 10.39"	Square - Silver	4.850 lbs	14.17" X 19.69" X 2.76"
UACLON0017	15.47" X 21.46"	11" X 17"	10.39" X 16.38"	Square - Silver	7.716 lbs	17.72" X 24.41" X 2.76"
UACLOB0081	12.95" X 15.47"	8.5" X 11"	7.87" X 10.39"	Square - Black	4.850 lbs	14.17" X 19.69" X 2.76"
UACLOB0017	15.47" X 21.46"	11" X 17"	10.39" X 16.38"	Square - Black	7.716 lbs	17.72" X 24.41" X 2.76"
UACLYN0000	Ø 22.83"	Ø 17.56"	Ø 16.93"	Circle - Silver	12.125 lbs	24.80" X 27.56" X 2.95"
UACLYB0000	Ø 22.83"	Ø 17.56"	Ø 16.93"	Circle - Black	12.125 lbs	24.80" X 27.56" X 2.95"
UACLEN0000	32.28" X 18.50"	27.56" X 13.78"	26.93" X 13.15"	Eliptical - Silver	14.330 lbs	20.47" X 36.61" X 2.95"
UACLEB0000	32.28" X 18.50"	27.56" X 13.78"	26.93" X 13.15"	Eliptical - Black	14.330 lbs	20.47" X 36.61" X 2.95"



\*W:Width H: Height D: Depth