




Curved Sign Holder

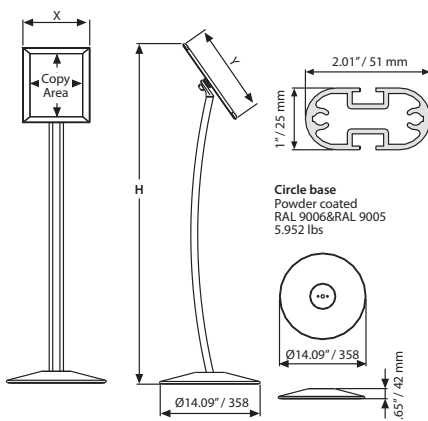


The Curved Sign Holder has both a silver & a black finish. Our new stylish Curved Sign Holder captures the customers attention in all frequented traffic areas. The Curved Sign Holder is suitable for use in hotels, galleries, museums, restaurants, lobby, bars, etc.. It is available in 8.5" x 11" and 11" x 17" portrait and landscape positions.

 Menu boards are packed unassembled with complete instructions and fixing hardware for assembly.

 Heavy elegant base provides stability.

 Color options :
Silver-anodized & black



MATERIAL : Silver & Black anodised aluminium								WEIGHT	PACKING SIZE
MITRED SILVER	ROUND SILVER	MITRED BLACK	EXTERNAL (x-y)	POSTER	COPY	HEIGHT	DESCRIPTION	WITH PACKING	*W X H X D
UCUMBN0581	UCUMBN0081	UCUMBB0581	9.68" X 12.18"	8.5" X 11"	7.79" X 10.29"	47.72"	Portrait	12.169 lbs	20.67" X 52.36" X 4.06"
						46.30"	Landscape		
UCUMBN0517	UCUMBN0017	UCUMBB0517	12.18" X 18.18"	11" X 17"	10.29" X 16.29"	49.69"	Portrait	12.389 lbs	14.37" X 43.70" X 4.02"
						47.72"	Landscape		
UCUMBN0512	UCUMBN0012	UCUMBB0512	19.18" X 23.18"	18" X 22"	17.29" X 21.29"	53.43"	Portrait	15.211 lbs	23.62" X 42.52" X 2.56"
						50.91"	Landscape		



* W:Width H: Height D: Depth