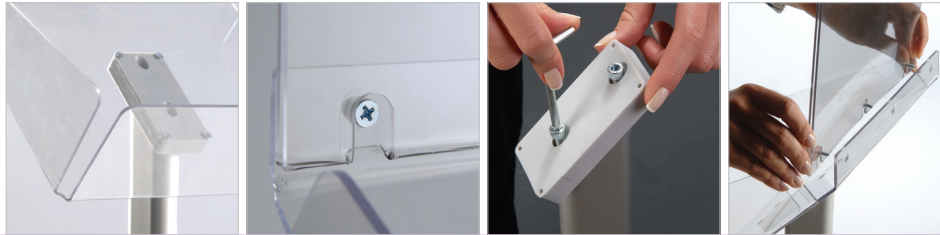




# Decorative Brochure Stands Decorative Brochure Stands Plus



Available in 8.5" x 11" size in portrait & landscape positions. Decorative Brochure Stand Plus is delivered with easy to change header on top.

 Brochure holders are made of 3 mm polycarbonate. Hard to scratch, not easy to break. Decorative brochures are packed unassembled with an easy to understand instruction sheet & fixing hardware.

 Heavy stable base for public spaces.

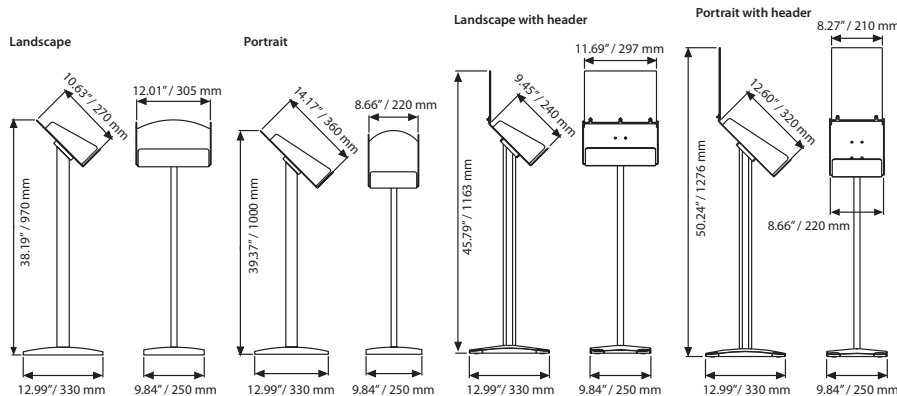


8.5" X 11" landscape

8.5" X 11" landscape with logo

8.5" X 11" portrait

8.5" X 11" portrait with logo



MATERIAL : Silver anodized aluminum & acrylic			
ARTICLE	DESCRIPTION	WEIGHT WITH PACKING	PACKING SIZE *W X H X D
UDBS20Y0A4	8.5" X 11" landscape with logo	8.774 lbs	11.02" X 34.65" X 4.92"
UDBS20D0A4	8.5" X 11" portrait with logo	8.774 lbs	11.02" X 34.65" X 4.92"
UDBS10Y0A4	8.5" X 11" landscape	7.605 lbs	11.02" X 34.65" X 4.92"
UDBS10D0A4	8.5" X 11" portrait	7.605 lbs	11.02" X 34.65" X 4.92"

\*W:Width H: Height D: Depth

