

Decorative Sign Holder



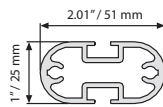
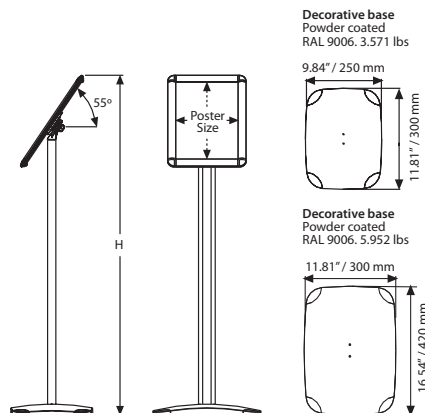
See movie at our website www.mtdisplays.com.tr



The Sign Holder with a sight angle that catches the eye level. The decorative base provides an elegant look. It is available in the sizes 8.5" X 11" and 11" X 17" in portrait & landscape positions.

Sign Holders are packed unassembled with an easy-to-understand instruction sheet & fixing elements.

Heavy elegant base provides stability.



| MATERIAL : Silver anodised aluminium | | | | | | | WEIGHT | PACKING SIZE |
|--------------------------------------|---------------|-----------------|------------|-----------------|--------|-------------|--------------|-------------------------|
| MITRED ARTICLE | ROUND ARTICLE | EXTERNAL (x-y) | POSTER | COPY | HEIGHT | DESCRIPTION | WITH PACKING | *W X H X D |
| UDMB1N05A4 | UDMB1N00A4 | 9.68" X 12.18" | 8.5" X 11" | 7.79" X 10.29" | 39.37" | Portrait | 8.135 lbs | 11.42" X 35.63" X 2.56" |
| | | | | | 37.95" | Landscape | | |
| UDMB1N05A3 | UDMB1N00A3 | 12.18" X 18.18" | 11" X 17" | 10.29" X 16.29" | 47.24" | Portrait | 12.897 lbs | 14.96" X 45.28" X 2.56" |
| | | | | | 45.28" | Landscape | | |



*W:Width H: Height D: Depth