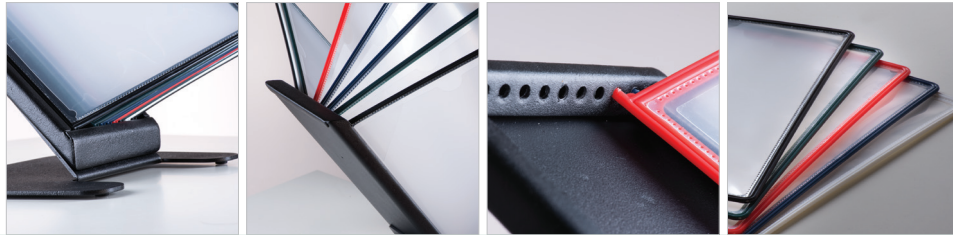


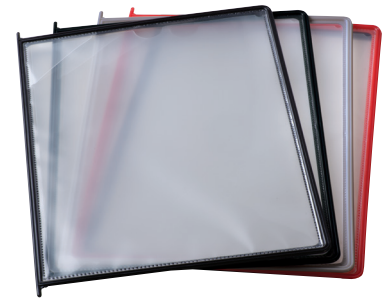


Table Top Reference Rack

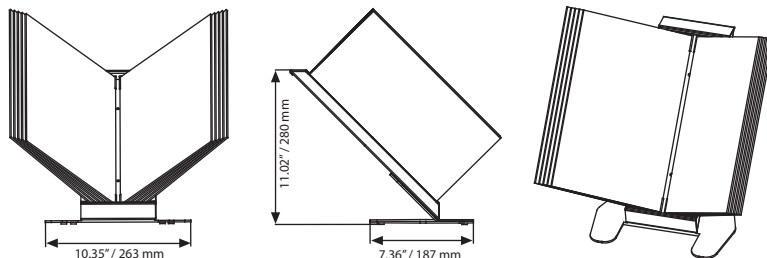


Steel stand with PET pockets, Table Top Reference allows you to organize busy environments. Do not forget to order pockets separately. Pockets are double sided, allowing you to display 20 pages at a time. The table top reference rack features a black sturdy steel body.

-  Holds 10 pockets at a time in one rack.
-  Pockets should be ordered separately.
- Pockets available in Red, Black and Grey.



Please don't forget to order.
10 pcs of 1 colour in a box.



MATERIAL : Silver anodised aluminium			WEIGHT	PACKING SIZE
ARTICLE	PAPER SIZE	DESCRIPTION	WITH PACKING	*W X H X D
URK01N0081	8.5" X 11"	Silver	1.069 lbs	11.42" X 18.90" X 6.30"
URK01B0081	8.5" X 11"	Black	1.069 lbs	11.42" X 18.90" X 6.30"

POSTER POCKET			WEIGHT	PACKING SIZE(10 Pcs)
ARTICLE	PAPER SIZE	DESCRIPTION	WITH PACKING	*W X H X D
TAB0590104	8.5" X 11"	Red	1.212 lbs	15.35" X 21.65" X 23.23"
TAB0590101	8.5" X 11"	Black	1.212 lbs	15.35" X 21.65" X 23.23"
TAB0590109	8.5" X 11"	Grey	1.212 lbs	15.35" X 21.65" X 23.23"

*W:Width H: Height D: Depth

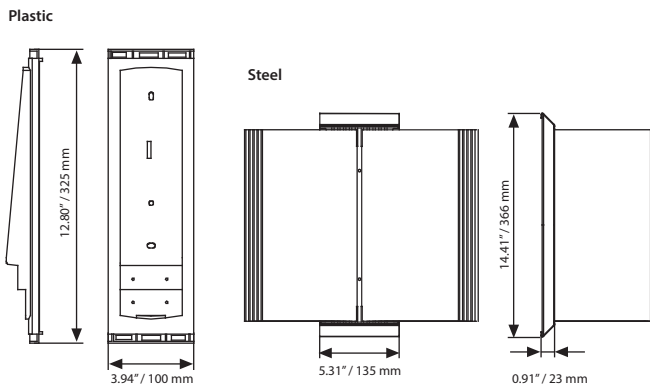


Wall Mount Reference Rack Plastic & Steel



Plastic stand with PET pockets, Reference Rack for Wall can be fixed to required height. Wall fixing components and pockets are included in the pack. Light weight, this products is suitable for diffrent office enviroment when space is limited. 10 pockets are included in the pack to displays 20 pages at a time.

- Holds 10 pockets at a time. Packed unassembled.
- Sturdy base for a stable and secure unit.
- Mix colour pockets are included in the pack.



TAB5904003
Tab & Inset.
Please don't forget to order.

POSTER POCKET			WEIGHT	PACKING SIZE (10 Pcs)
ARTICLE	PAPER SIZE	DESCRIPTION	WITH PACKING	*W X H X D
TAB0590104	8.5" X 11"	Red	1.212 lbs	15.35" X 21.65" X 23.23"
TAB0590101	8.5" X 11"	Black	1.212 lbs	15.35" X 21.65" X 23.23"
TAB0590109	8.5" X 11"	Grey	1.212 lbs	15.35" X 21.65" X 23.23"

*W:Width H: Height D: Depth

MATERIAL : Silver anodised aluminium			WEIGHT	PACKING SIZE
ARTICLE	PAPER SIZE	DESCRIPTION	WITH PACKING	*W X H X D
URK03N0081	8.5" X 11"	Silver	1.102 lbs	6.30" X 16.54" X 1.22"
URK03B0081	8.5" X 11"	Black	1.102 lbs	6.30" X 16.54" X 1.22"

*W:Width H: Height D: Depth

MATERIAL : Plastic			WEIGHT	PACKING SIZE
ARTICLE	PAPER SIZE	DESCRIPTION	WITH PACKING	*W X H X D
TAB5936002	8.5" X 11"	White	2.204 lbs	3.74" X 14.96" X 10.43"

*W:Width H: Height D: Depth

Adjustable Reference Rack with Round Base



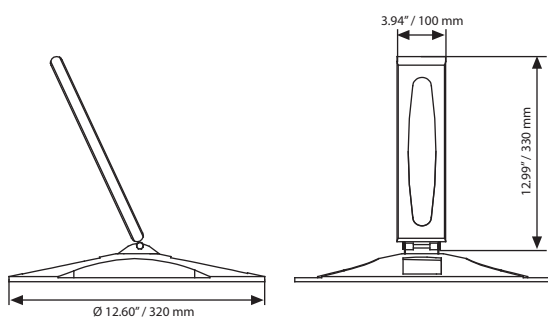
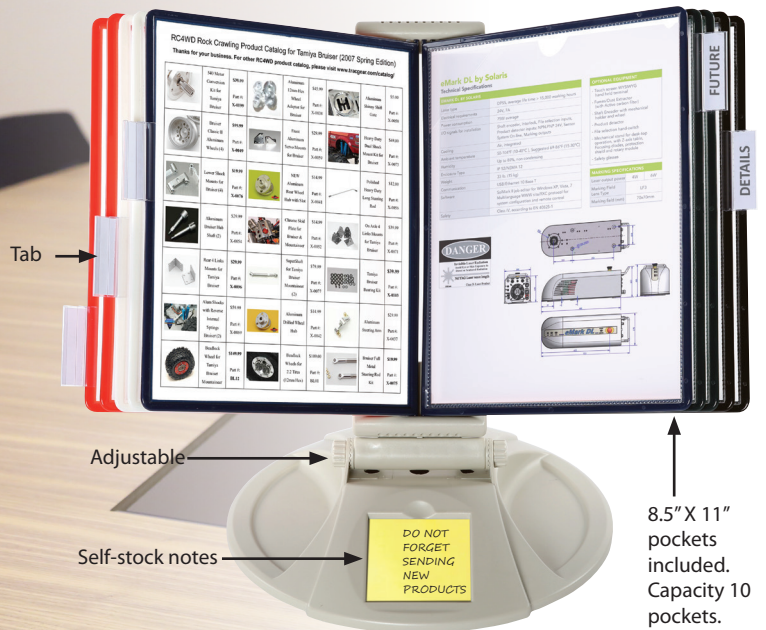
See movie at our website www.mtdisplays.com.tr



Adjustable Reference Rack has capacity of 10 display pockets. It has a decorative round base in beige colour which may also serve as organizer for self-stick notes. The pockets are included in the pack index tab & insets should be ordered separately.

Holds 10 pockets at a time in one rack.

Pockets should be ordered separately. Pockets available in Red, Black and Grey.



MATERIAL : Plastic			WEIGHT	PACKING SIZE
ARTICLE	PAPER SIZE	DESCRIPTION	WITH PACKING	*W X H X D
TAB5869002	8.5" X 11"	White	3.571 lbs	5.31" X 15.35" X 12.80"
POSTER POCKET			WEIGHT	PACKING SIZE(10 Pcs)
ARTICLE	PAPER SIZE	DESCRIPTION	WITH PACKING	*W X H X D
TAB0590104	8.5" X 11"	Red	1.212 lbs	15.35" X 21.65" X 23.23"
TAB0590101	8.5" X 11"	Black	1.212 lbs	15.35" X 21.65" X 23.23"
TAB0590109	8.5" X 11"	Grey	1.212 lbs	15.35" X 21.65" X 23.23"

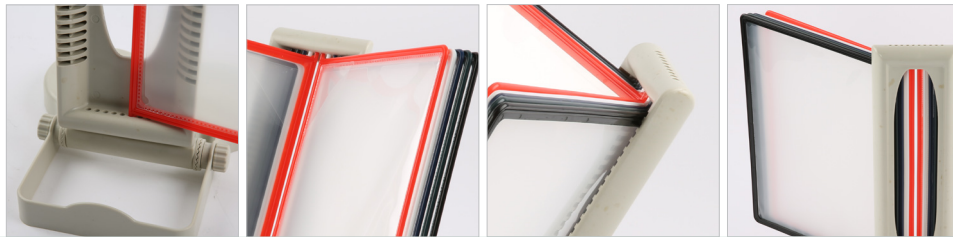
*W:Width H: Height D: Depth






Adjustable Reference Rack System

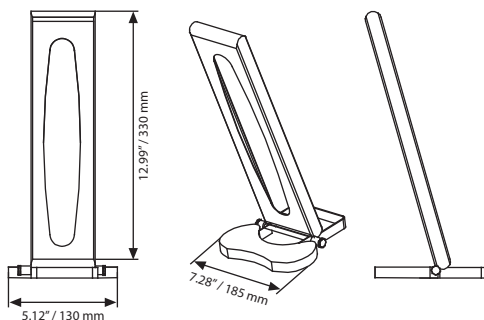


See movie at our website www.mtdisplays.com.tr



Heavy base Adjustable Rack System has capacity of 10 display pockets. It allows adjusting the angle to comfortable eye level. 10 x pockets are included in the system.

-  Holds 10 pockets at a time. Packed unassembled.
-  Sturdy base for a stable and secure unit.
-  Mix colour pockets are included in the pack.



TAB5904003
Tab & Inset. Please don't forget to order.

MATERIAL : Plastic			WEIGHT	PACKING SIZE
ARTICLE	PAPER SIZE	DESCRIPTION	WITH PACKING	*W X H X D
TAB5898002	8.5" X 11"	White	6.062 lbs	4.13" X 15.35" X 10.43"

POSTER POCKET			WEIGHT	PACKING SIZE(10 Pcs)
ARTICLE	PAPER SIZE	DESCRIPTION	WITH PACKING	*W X H X D
TAB0590104	8.5" X 11"	Red	1.212 lbs	15.35" X 21.65" X 23.23"
TAB0590101	8.5" X 11"	Black	1.212 lbs	15.35" X 21.65" X 23.23"
TAB0590109	8.5" X 11"	Grey	1.212 lbs	15.35" X 21.65" X 23.23"

*W:Width H: Height D: Depth

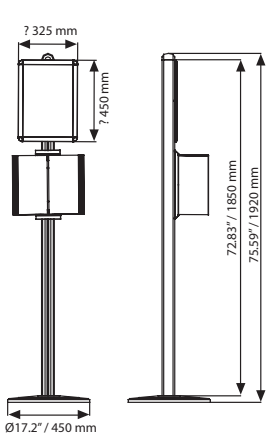
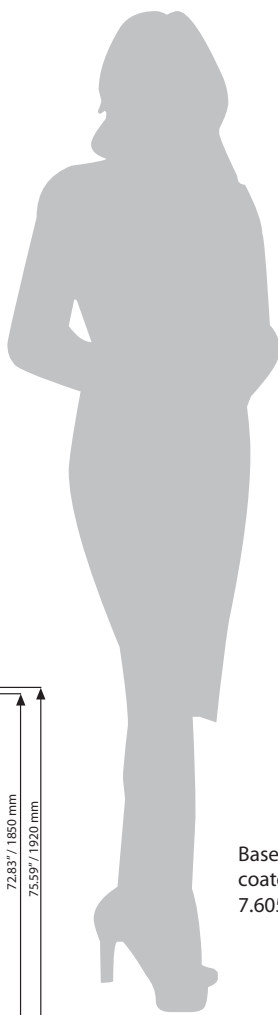


Free Standing Reference Rack



Sturdy aluminum pole with double channels.
 Each pocket displays 2 brochures. Pockets flip easily.
 Do not forget to order pockets separately.
 Hold 10 pockets at the a time. Allows extra frame and brochure holders to add on when need be.

- Holds 10 pockets at a time. Packed unassembled.
- Sturdy base for a stable and secure unit.
- Pockets should be ordered separately. Pockets available in Red, Black and Grey.
- 4 packs. See info chart for pack sizes.



MATERIAL : Silver anodised aluminium			WEIGHT	PACKING SIZE
ARTICLE	PAPER SIZE	DESCRIPTION	WITH PACKING	*W X H X D
URK04N0081	8.5" X 11"	Silver	30.864 lbs	3.54" X 76.77" X 3.74" / 18.90" X 18.90" X 1.97"
URK04B0081	8.5" X 11"	Black	30.864 lbs	18.11" X 25.98" X 0.83" / 6.30" X 16.54" X 1.22"
				3.54" X 76.77" X 3.74" / 18.90" X 18.90" X 1.97"
				18.11" X 25.98" X 0.83" / 6.30" X 16.54" X 1.22"

POSTER POCKET			WEIGHT	PACKING SIZE(10 Pcs)
ARTICLE	PAPER SIZE	DESCRIPTION	WITH PACKING	*W X H X D
TAB0590104	8.5" X 11"	Red	1.212 lbs	15.35" X 21.65" X 23.23"
TAB0590101	8.5" X 11"	Black	1.212 lbs	15.35" X 21.65" X 23.23"
TAB0590109	8.5" X 11"	Grey	1.212 lbs	15.35" X 21.65" X 23.23"

*W:Width H: Height D: Depth

