


# Puzzle Tumble Box




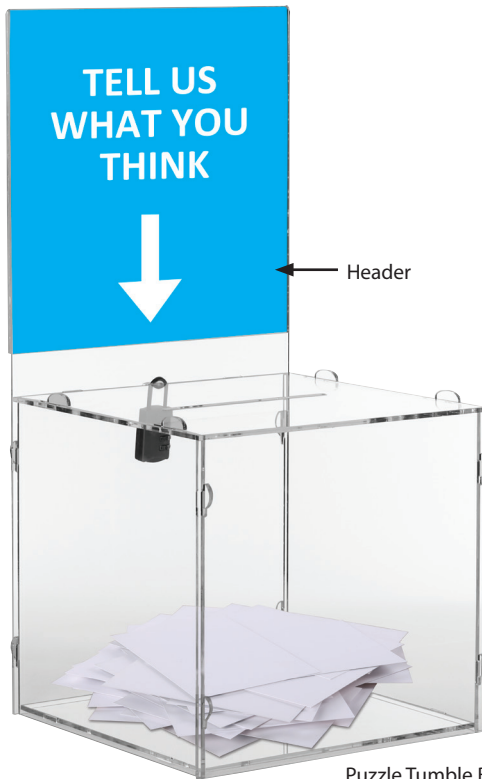
See movie at our website [www.mtdisplays.com.tr](http://www.mtdisplays.com.tr)



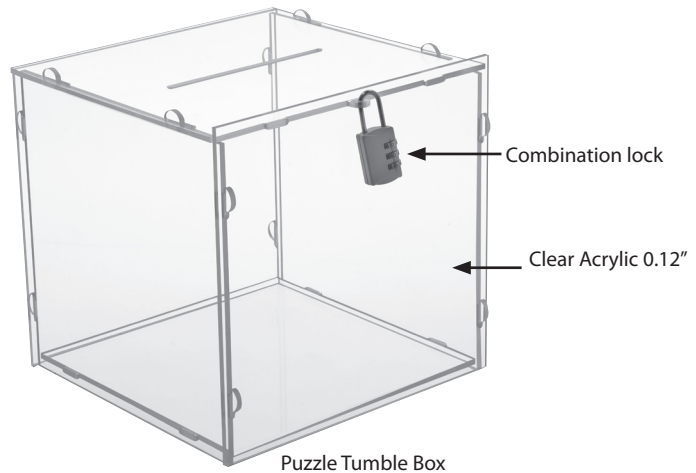
Locking Puzzle Box is suitable for different environments. Easy to assemble with help of mounting sheet provided. Key and padlock securely protect the box content. Flat pack saves from space. This suggestion box is perfect for high traffic areas. Available in 2 sizes.

 Please handle with care during transportation. Please peel of the film over the product before use.

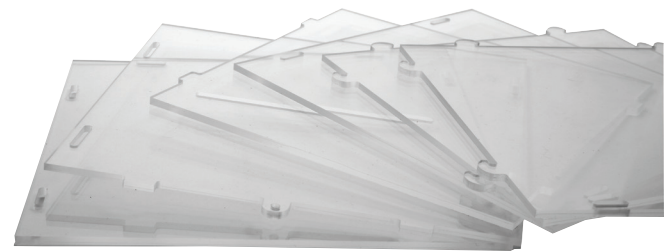
 Available with header and without header. Available in Opaque and Transparent finishes.



Puzzle Tumble Box with Header

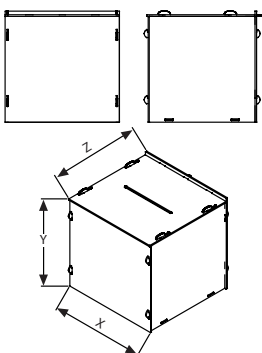


Puzzle Tumble Box

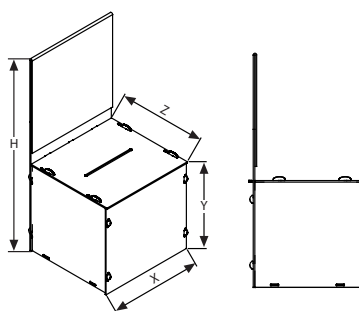


Flat pack

Puzzle Tumble Box



Puzzle Tumble Box with Header



MATERIAL : Clear acrylic 3 mm					WEIGHT	PACKING SIZE
ARTICLE	SIZE	EXTERNAL (x-y-z)	H	DESCRIPTION	WITH PACKING	*W X H X D
UTBPOS0085	8.5" X 11"	8.50" X 8.27" X 8.50"	-	Clear	3.306 lbs	9.84" X 20.08" X 0.83"
UTBPOS0012	12" X 12"	12.01" X 11.77" X 12.01"	-	Clear	5.180 lbs	13.78" X 26.77" X 0.83"
UTBPOS1085	8.5" X 11"	8.50" X 8.27" X 8.50"	17.52"	Clear with header	4.122 lbs	9.84" X 20.08" X 0.83"
UTBPOS1012	12" X 12"	12.01" X 11.77" X 12.01"	24.80"	Clear with header	6.922 lbs	13.78" X 26.77" X 0.83"

\* W:Width H: Height D: Depth



# Free Standing Puzzle Tumble Box



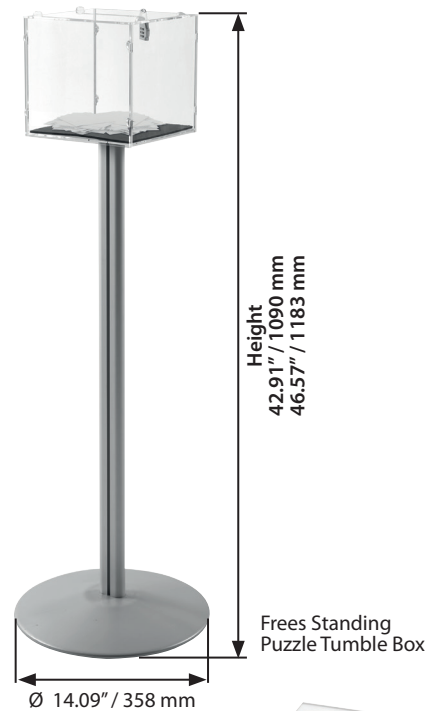
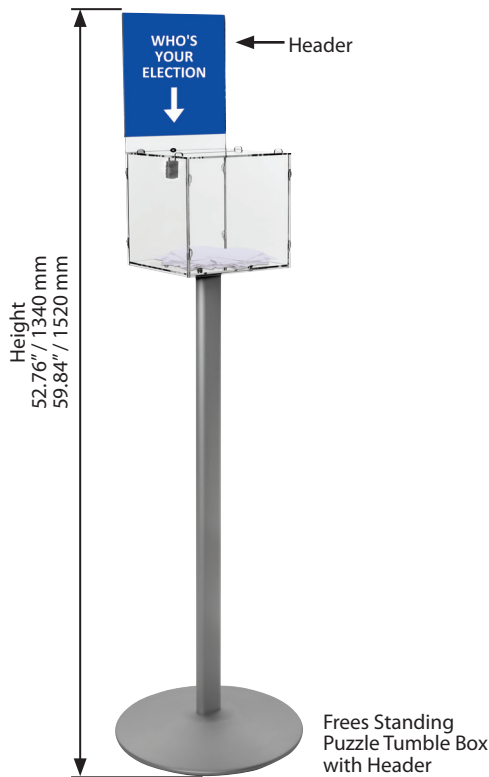
See movie at our website [www.mtdisplays.com.tr](http://www.mtdisplays.com.tr)



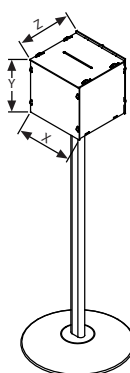
Locking Floor Standing Puzzle Box is suitable for different environment where the space is very tight. Easy to assemble with help of mounting sheet provided. Key and padlock securely protect the box content. Flat pack saves from space. This suggestion box is perfect for high traffic areas and suitable for tradeshows and fundraising even as well. Available in 2 sizes. It has a sturdy metal base which provide stability.

Please handle with care during transportation. Please peel of the film over the product before use.

Available with header and without header. Available in Opaque and Transparent finishes.

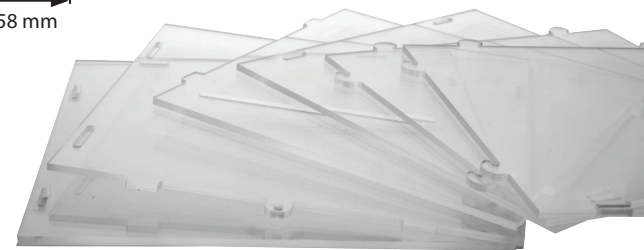
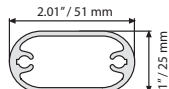
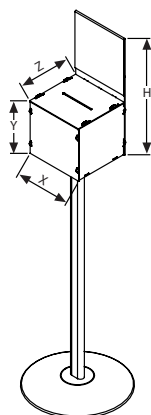


Frees Standing Puzzle Tumble Box



Weight of base is 1.763 lbs.

Frees Standing Puzzle Tumble Box with Header



Flat pack

MATERIAL : Clear acrylic 3 mm					WEIGHT	PACKING SIZE
ARTICLE	SIZE	EXTERNAL (x-y-z)	H	DESCRIPTION	WITH PACKING	*W X H X D
UTBP1S0085	8.5" X 11"	8.50" X 8.27" X 8.50"	-	Clear	13.580 lbs	16.93" X 36.22" X 2.76"
UTBP1S0012	12" X 12"	12.01" X 11.77" X 12.01"	-	Clear	16.534 lbs	16.93" X 44.09" X 2.76"
UTBP1S1085	8.5" X 11"	8.50" X 8.27" X 8.50"	17.52"	Clear with header	14.021 lbs	16.93" X 36.22" X 2.76"
UTBP1S1012	12" X 12"	12.01" X 11.77" X 12.01"	24.80"	Clear with header	16.534 lbs	16.93" X 44.09" X 2.76"

\*W:Width H:Height D:Depth

