


Poster Display Convex Boxes





See movie at our website www.mtdisplays.com.tr




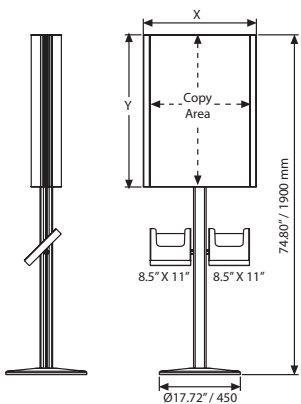
Double sided display for indoor use. By the aid of snaps & hinged cover, one can easily change the poster on both sides. Brochure shelves can be added, if desired. Convex elegant look at eye-level to present your message.

 Product is packed unassembled with an easy to understand instruction sheet & fixing hardware.

 Heavy and stable base for public spaces. PVC hinged door, magnet cover & poster pegs provide easy change of poster on both sides.

 Shelves should be ordered separately.

 3 packs. See info chart for pack sizes.



MATERIAL : Silver anodized aluminum				WEIGHT	PACKING SIZE
ARTICLE	EXTERNAL (x-y)	POSTER	COPY	WITH PACKING	*W X H X D
UTTM014301	19.57" X 25.57"	18" X 24"	17.13" X 23.13"	29.762 lbs	21.46" X 27.17" X 3.74"
UTTM014302	25.57" X 37.57"	24" X 36"	23.13" X 35.13"	32.628 lbs	23.82" X 31.50" X 3.74"

*W:Width H: Height D: Depth

