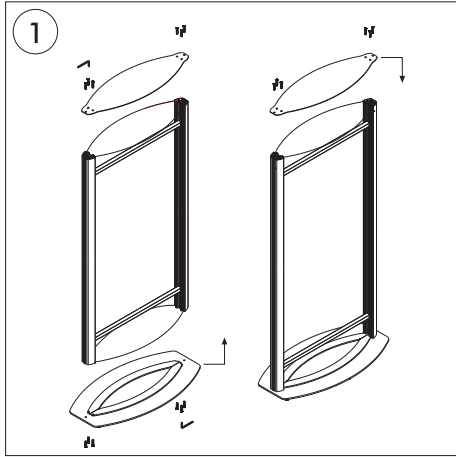
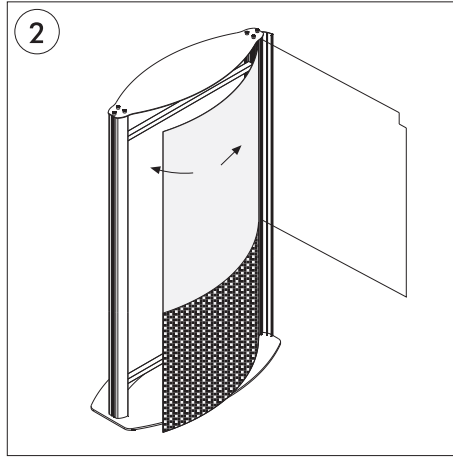


DECORATIVE TOTEM

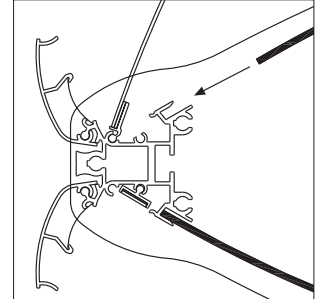
• ASSEMBLY OF PRODUCT



• Fix by screwing bottom and then top plates to side column on both sides.



• Place decorative bottom and opaque top sheets into channels on side columns.

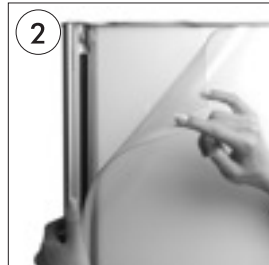


- Replacement of opaque sheets.
- Einschubung der opelen Acrylscheibe
- Opak fon yerleşimi.

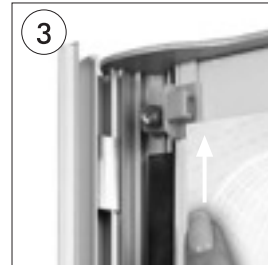
• ASSEMBLY OF POSTER



• Open all profiles upwards.



• Take-off the anti-reflex cover.



• Slide poster by rubbing it passed into clips on corners as is in photo.



• After placing the cover back on the poster, close the profiles downwards.



• Please inform the order number on the product or on the carton (e.g. 1/110001394-460) to the place that you have made the purchase if any problem with the product occurs.

• All rights reserved. All pictures, figures and writings are secured internationally by copy-right law. Infringements will be sued by civil and legal law.