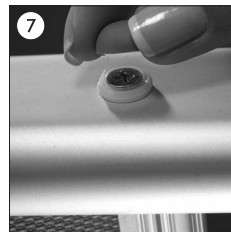
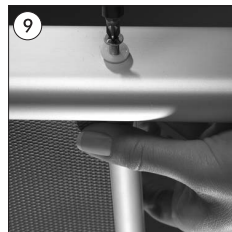
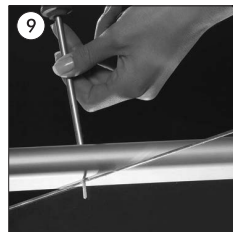
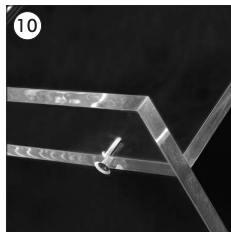
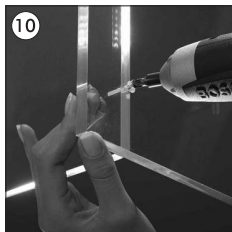
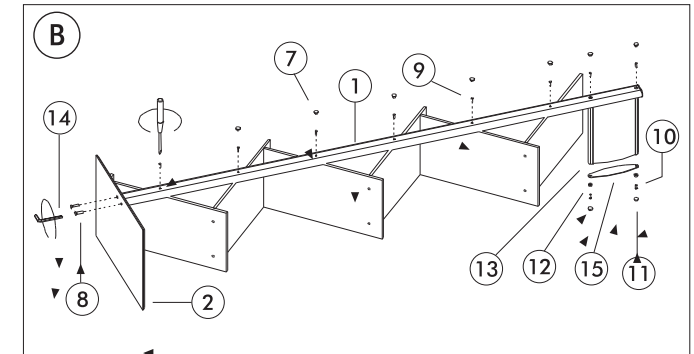
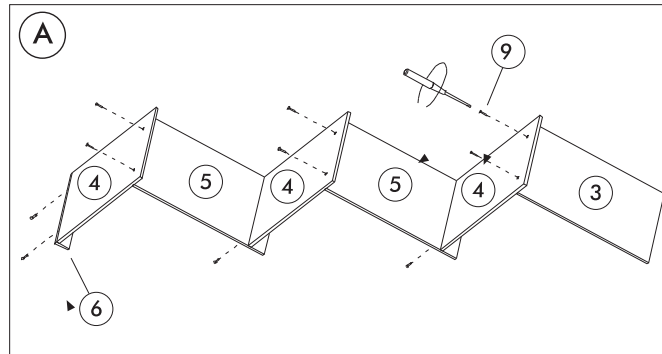
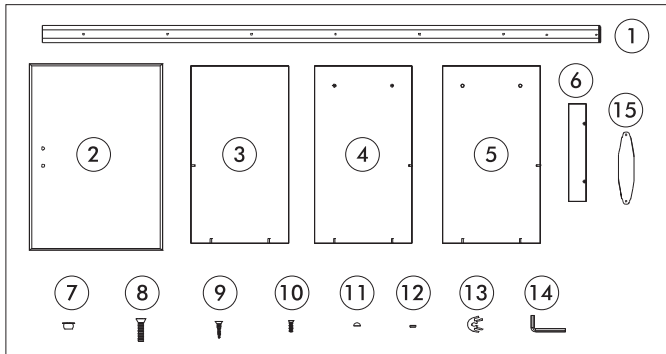


ZICK-ZACK WITH HEADER



•Please do not tighten the screws too much to prevent the plastic washers to be deformed or broken. In case they are broken, it will be impossible to fix the plastic screw cups.

- Elips profile No: 1 x 1 pcs
- Aluminium base No: 2 x 1 pcs
- Acrylic shelf No: 3 x 1 pcs
- Acrylic shelf No: 4 x 3 pcs
- Acrylic shelf No: 5 x 2 pcs
- Acrylic shelf stopper No: 6 x 1 pcs
- Screw cups No: 7 x 8 pcs
- Screw No: 8 x 2 pcs
- Screw No: 9 x 18 pcs
- Screw No: 10 x 4 pcs
- Screw cups No: 11 x 2 pcs
- Screw cups No: 12 x 2 pcs
- Elips profile No: 13 x 2 pcs
- Allen key No: 14 x 1 pcs
- Aluminium plate No: 15 x 1 pcs

