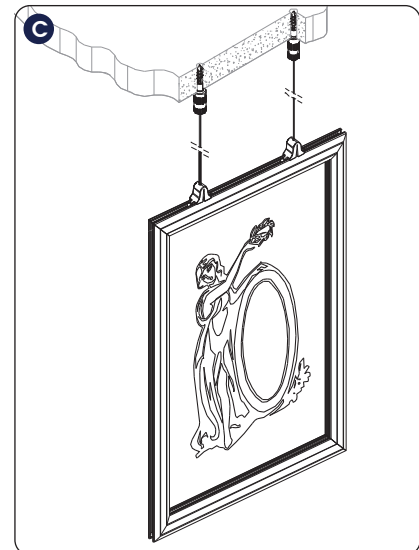
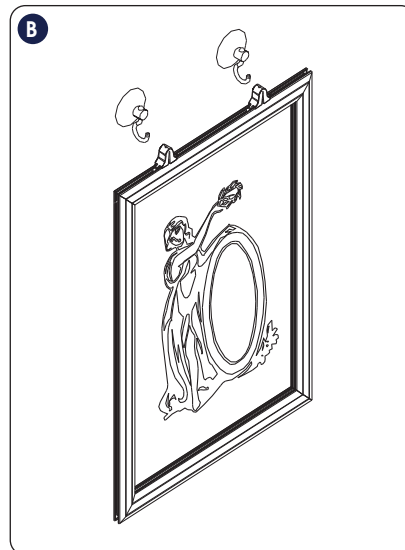
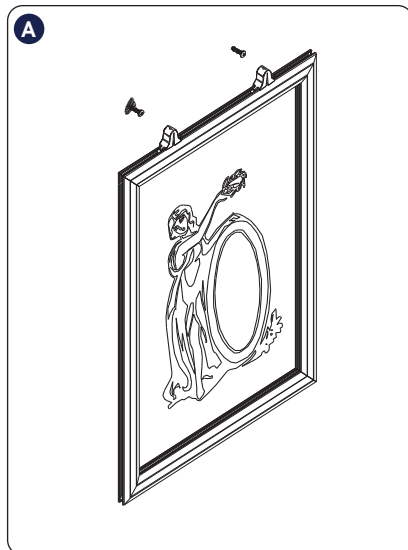
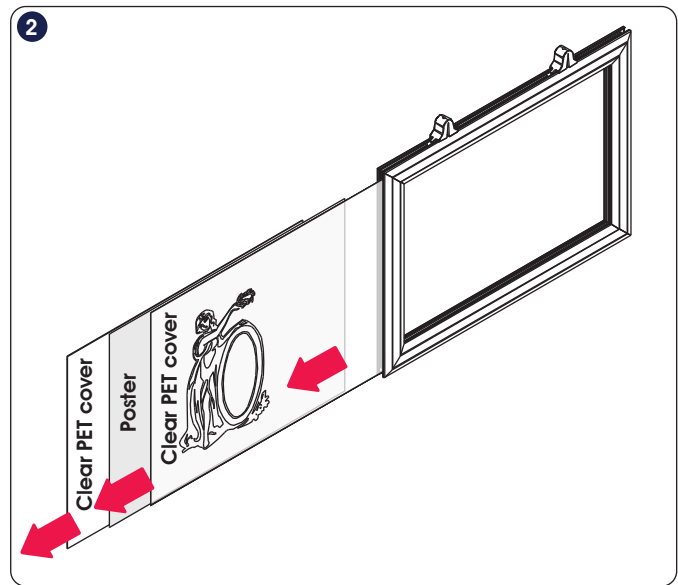
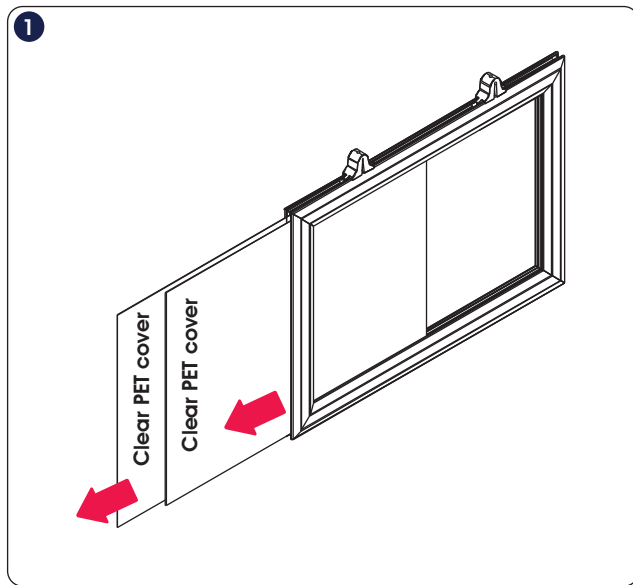


### 3 different mounting styles

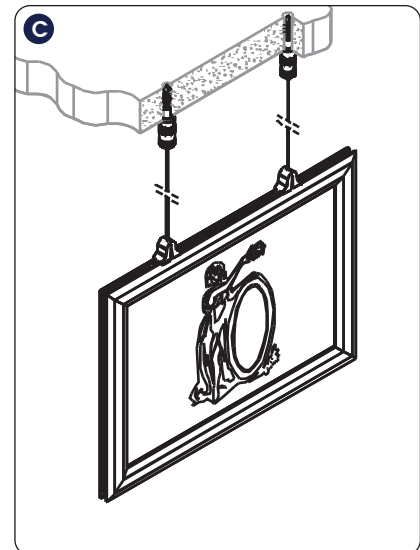
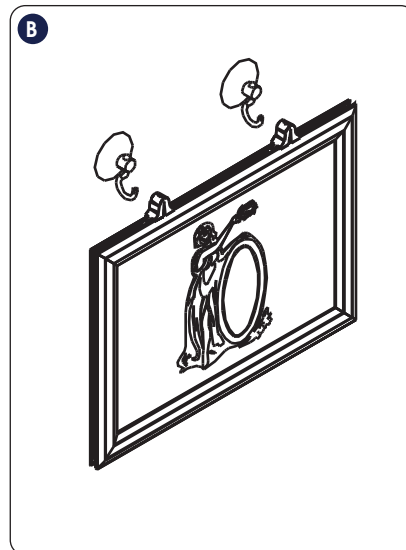
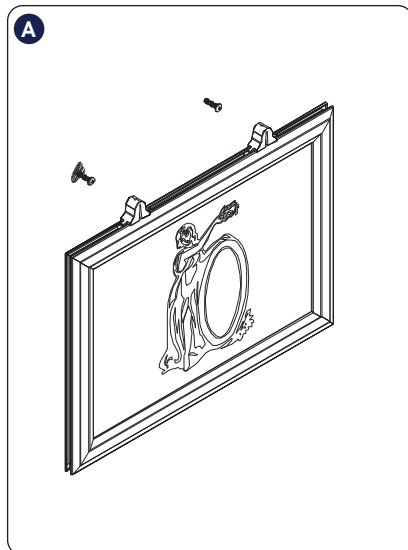


\*All accessories in the pictures are optional, are not included in standard kits.  
Plastic hangers in pictures 3 are included in all frames.

- Please inform the order number on the product or on the carton (e.g. 1/110001394-460) to the place that you have made the purchase if any problem with the product occurs.
- All rights reserved. All pictures, figures and writings are secured internationally by copy-right law.



### 3 different mounting styles



\*All accessories in the pictures are optional, are not included in standard kits.  
Plastic hangers in pictures 3 are included in all frames.

- Please inform the order number on the product or on the carton (e.g. 1/110001394-460) to the place that you have made the purchase if any problem with the product occurs.
- All rights reserved. All pictures, figures and writings are secured internationally by copy-right law.