

WindPro® Plus



See movie at our website www.mtdisplays.com.tr



With increase performance, WindPro® Plus is more durable against outdoor conditions. It consists of 2 main articles: frame and the base. The gasket in frame provides high vacuuming to UV resistant poster protection to keep the poster dry. PET is fixed on the top profile to help easy poster change. The poster stickers which is suitable for re-use upto 100 times are also keep the poster in place avoid sliding down the frame get wet. No sharp edges and has steel springs for flexibility. Poster use is double sided.

Base standard in dark grey color or black. Other colors are available upon request. Ground wheels in upside position enable easy movement of the product.

Please note that if the frame of SwingPro Plus and WindPro Plus is required with a "HEADER" option, then the standard articles cannot be used, please contact our sales department for the articles with a header option. Please place the poster on stickers inside the water wick around the inner frame.

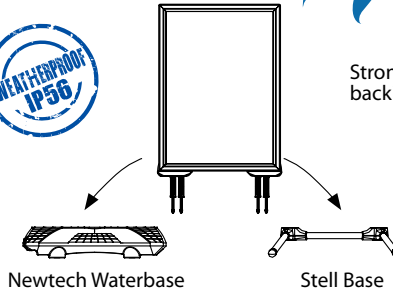
Do not forget to order carry tool.

Assembly in 65-75 seconds.

UYUP480945
Optional
carry tool.

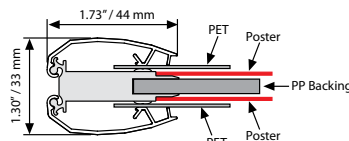
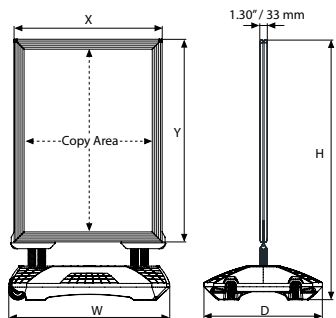


One top goes with 2 different bases.



Patent No: OHIM DM/084 128

Snap open



NEWTECH WATER BASE: HLDPE							WEIGHT	PACKING SIZE
SILVER	BLACK	SIZE	FOR	H	W	D	WITH PACKING	*W X H X D
UTWM003000	UTWM003010	28.35" X 20.87"	20" X 30"	42.87"	28.35"	20.87"	9.876 lbs	21.85" X 29.53" X 7.01"
			22" X 28"	40.87"	28.35"	20.87"		
			24" X 36"	48.90"	28.35"	20.87"		
UTWM004000	UTWM004010	35.43" X 24.80"	30" X 40"	52.87"	35.43"	24.80"	15.101 lbs	23.82" X 36.61" X 7.01"
			F0	48.90"	35.43"	24.80"		

FRAME : Powder coated steel						WEIGHT	PACKING SIZE
SILVER	BLACK	EXTERNAL (x-y)	POSTER	COPY		WITH PACKING	*W X H X D
USWPP00N22	USWPP00N22	25.03" X 31.03"	22" X 28"	21.53" X 27.53"		17.526 lbs	26.18" X 40.55" X 1.57"
USWPP00N23	USWPP00N23	23.03" X 33.03"	20" X 30"	19.53" X 29.53"		17.526 lbs	24.21" X 43.31" X 1.57"
USWPP00N24	USWPP00N24	27.03" X 39.03"	24" X 36"	23.53" X 35.53"		19.731 lbs	27.95" X 48.82" X 1.57"
USWPP00N34	USWPP00N34	33.03" X 43.03"	30" X 40"	29.53" X 39.53"		24.912 lbs	34.45" X 53.15" X 1.57"
USWPP00NFO	USWPP00NFO	36.14" X 55.04"	F0	32.64" X 51.54"		28.660 lbs	34.65" X 59.06" X 1.57"

*W:Width H: Height D: Depth

